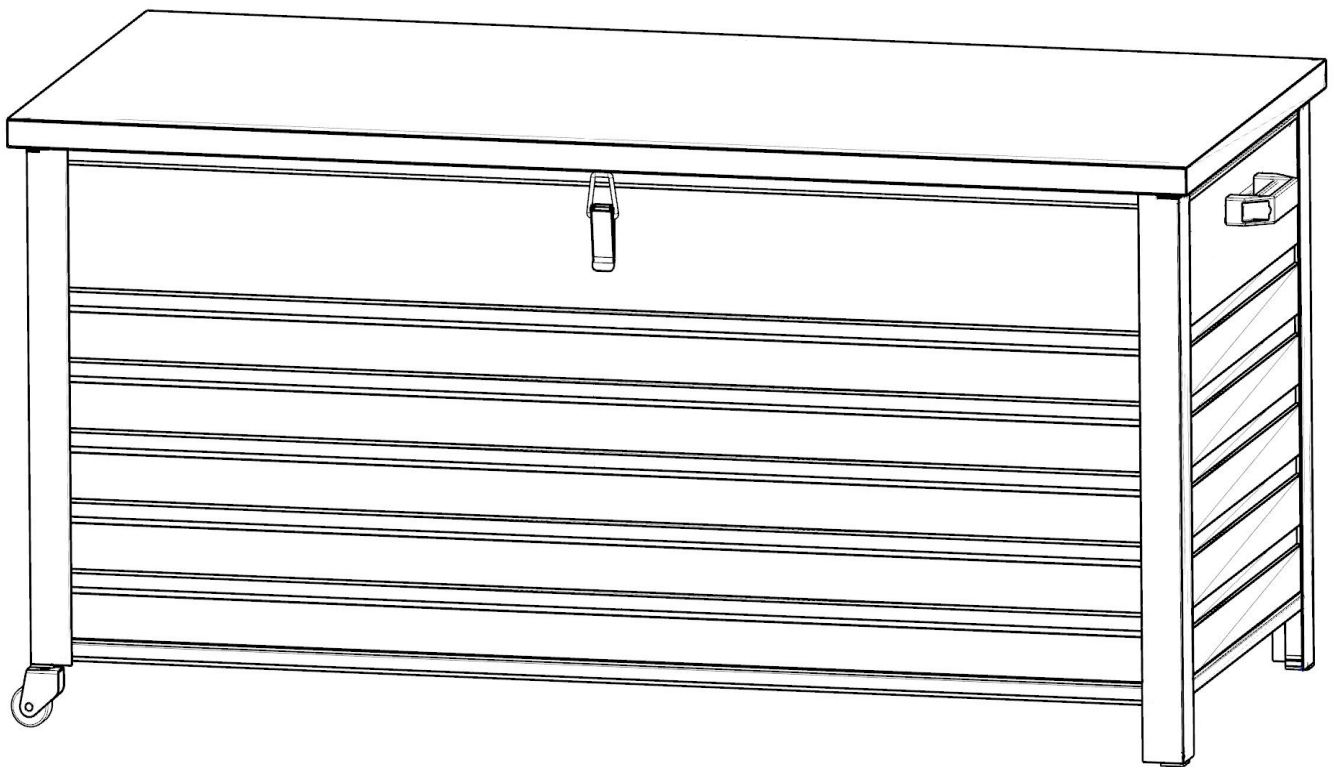


VENTURE DESIGN

HOME & INTERIOR



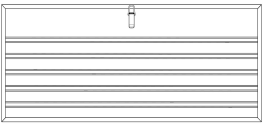
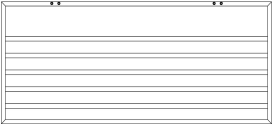


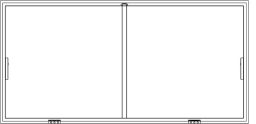



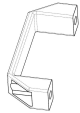









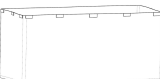
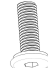
1011-408
Elsa cushion box

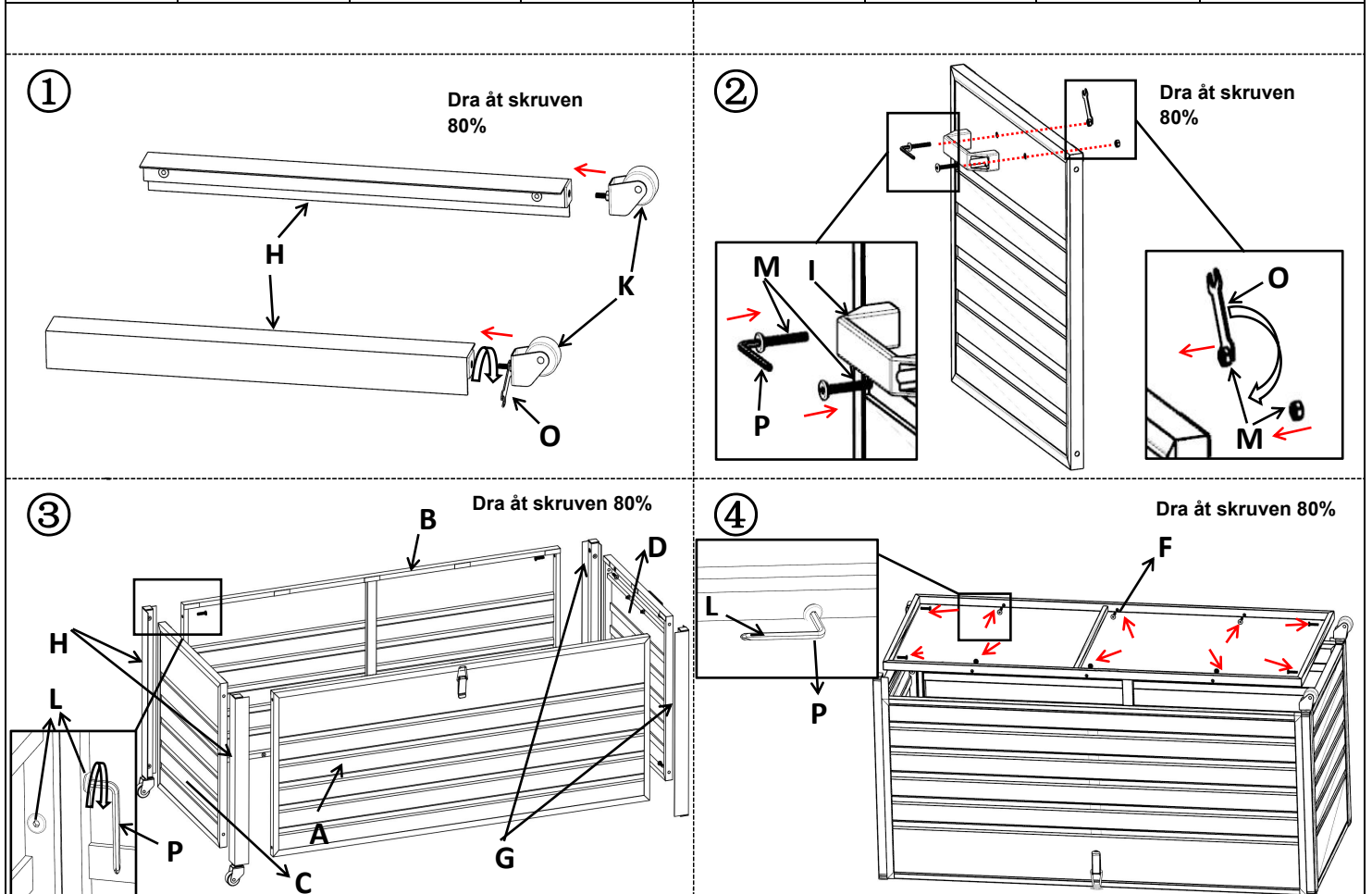
Monteringsanvisning - AssemblyInstruction - Einbauzeichnung



1011-408 Assembly Instruction

Elsa cushion box

A	1pc	B	1pc	C	1pc	D	1pc	E	1pc				
													
Front side piece / 1999-5692		Back Side piece / 1999-5690		Left Side piece / 1999-5072		Right Side piece / 1999-5073		Cover plate / 1999-5694					
F	1pc	G	2pcs	H	2pcs	I	1pc	J	2pcs	K	2pcs	L	28pcs
													
Bottom cover / 1999-5071		Long feet		Short feet		Handle		Gas spring / 1999-5065		Castor		M6*25	
M	2pcs	N	2pcs	O	1pc	P	1pc	Q	16pc	R	4pcs	 	
													
M6*35 Screw&nut		Plastic washer		Wrench		Hexagon Spanner		Inner cloth cover / 1999-5068		M6*20			



VENTURE DESIGN HOME & INTERIOR

1011-408
Assembly Instruction

Elsa cushion box

