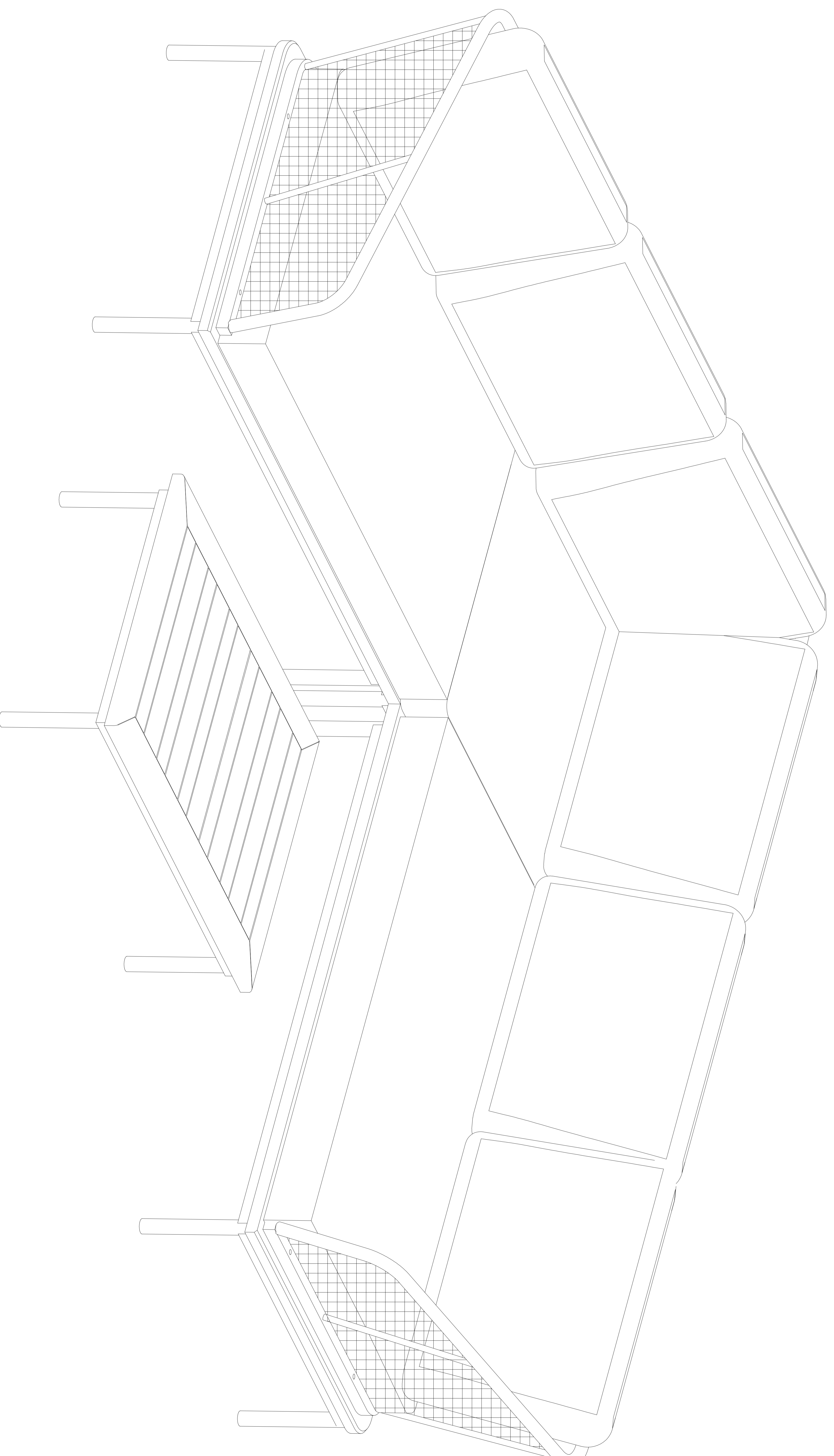


ASSEMBLY INSTRUCTION

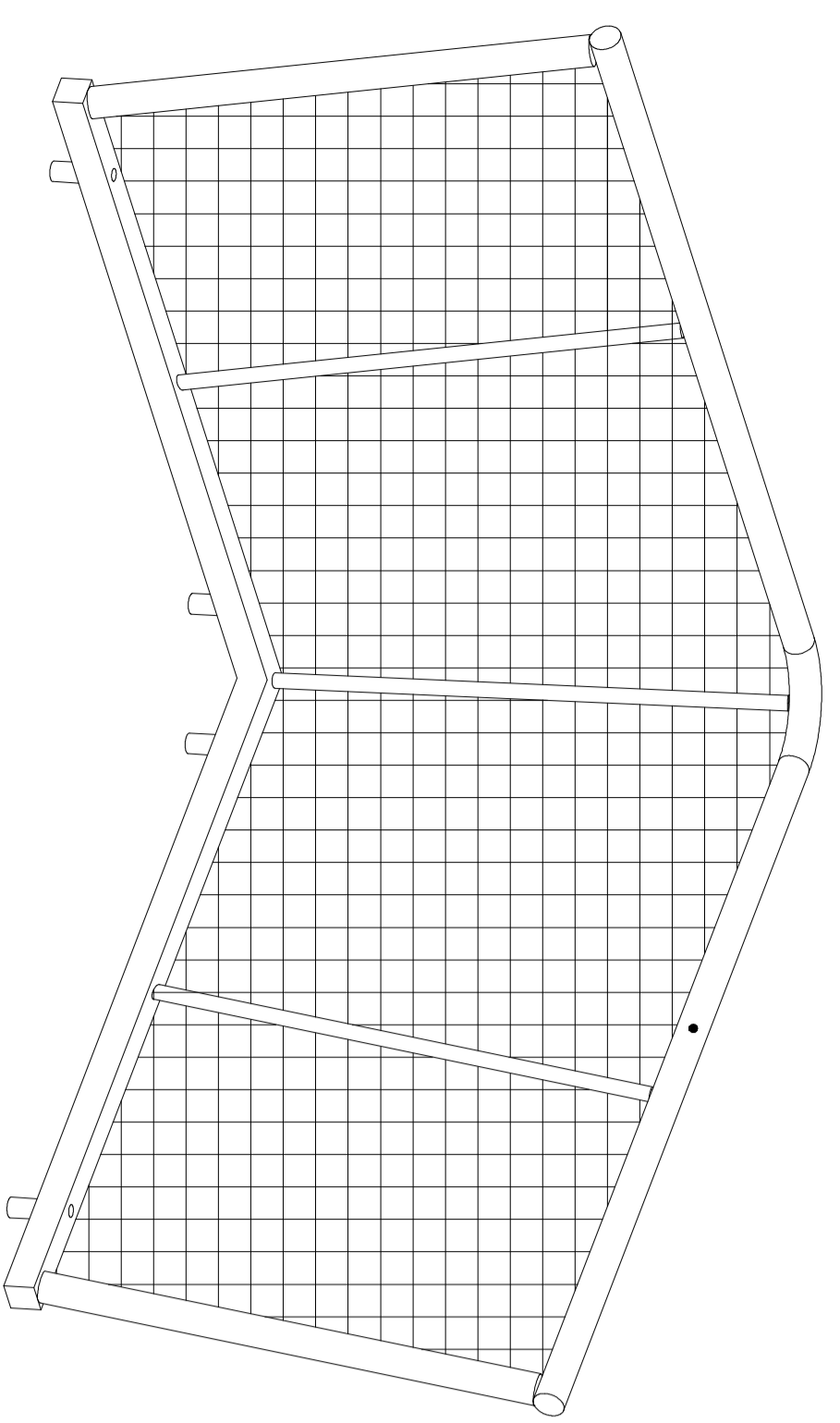
Art No.: 9582 - 019



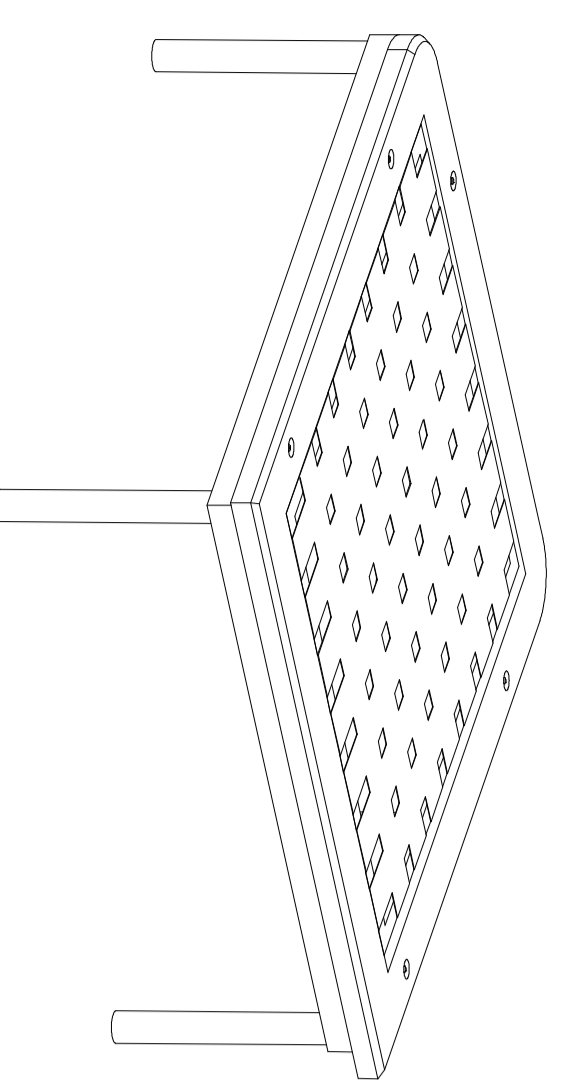
ASSEMBLY INSTRUCTION

Art No.: 9582 - 019

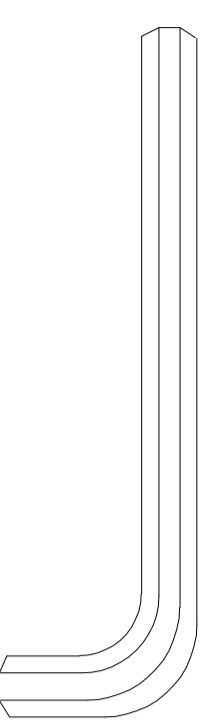
(1) = 1 Corner top



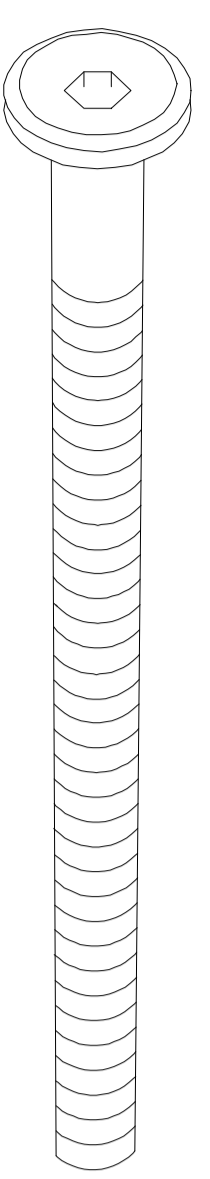
(2) = 1 Corner leg



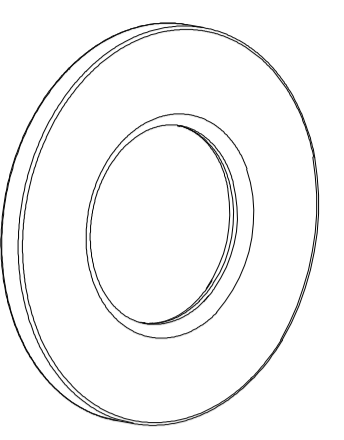
(3) = 1 Spanner



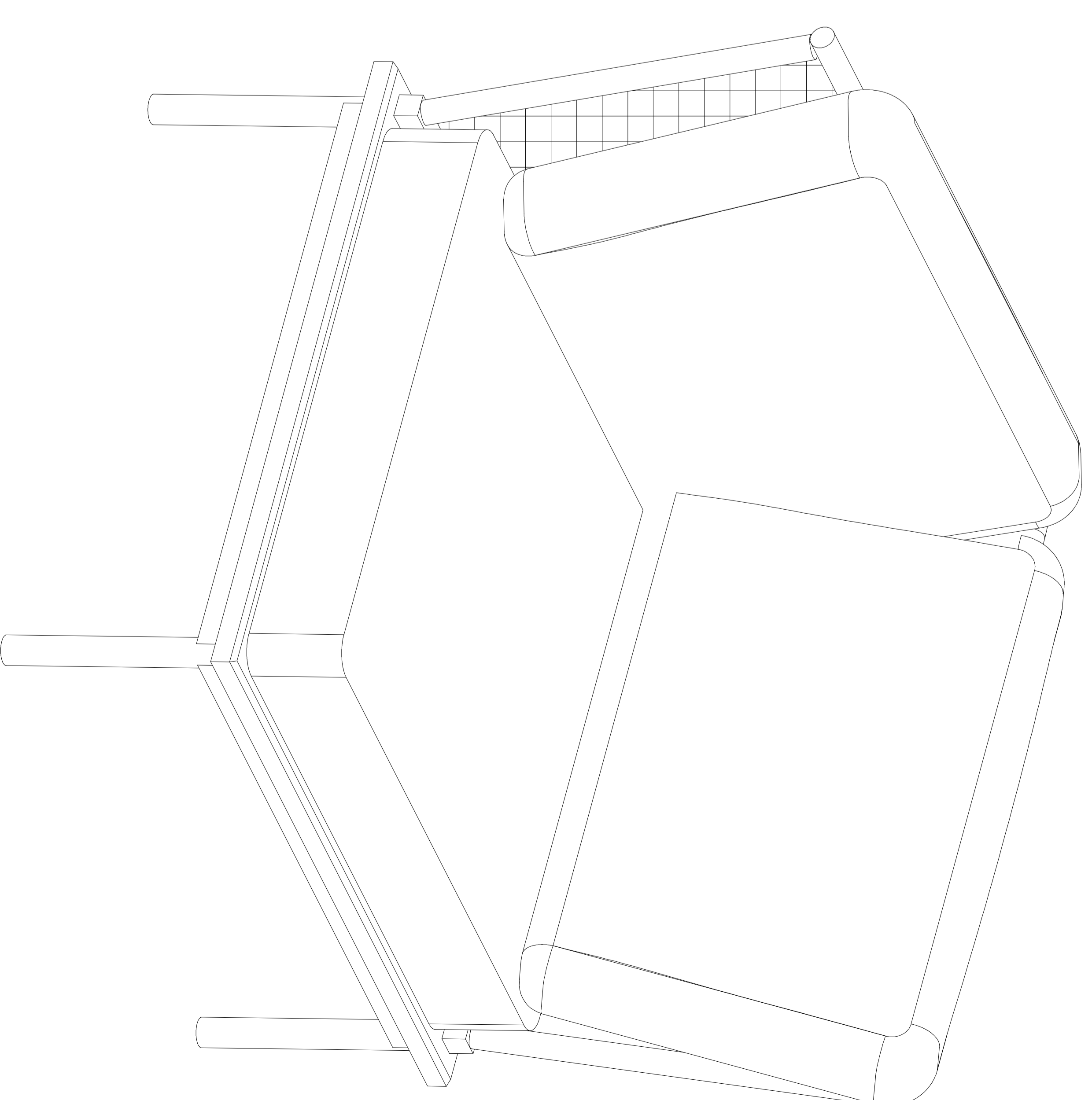
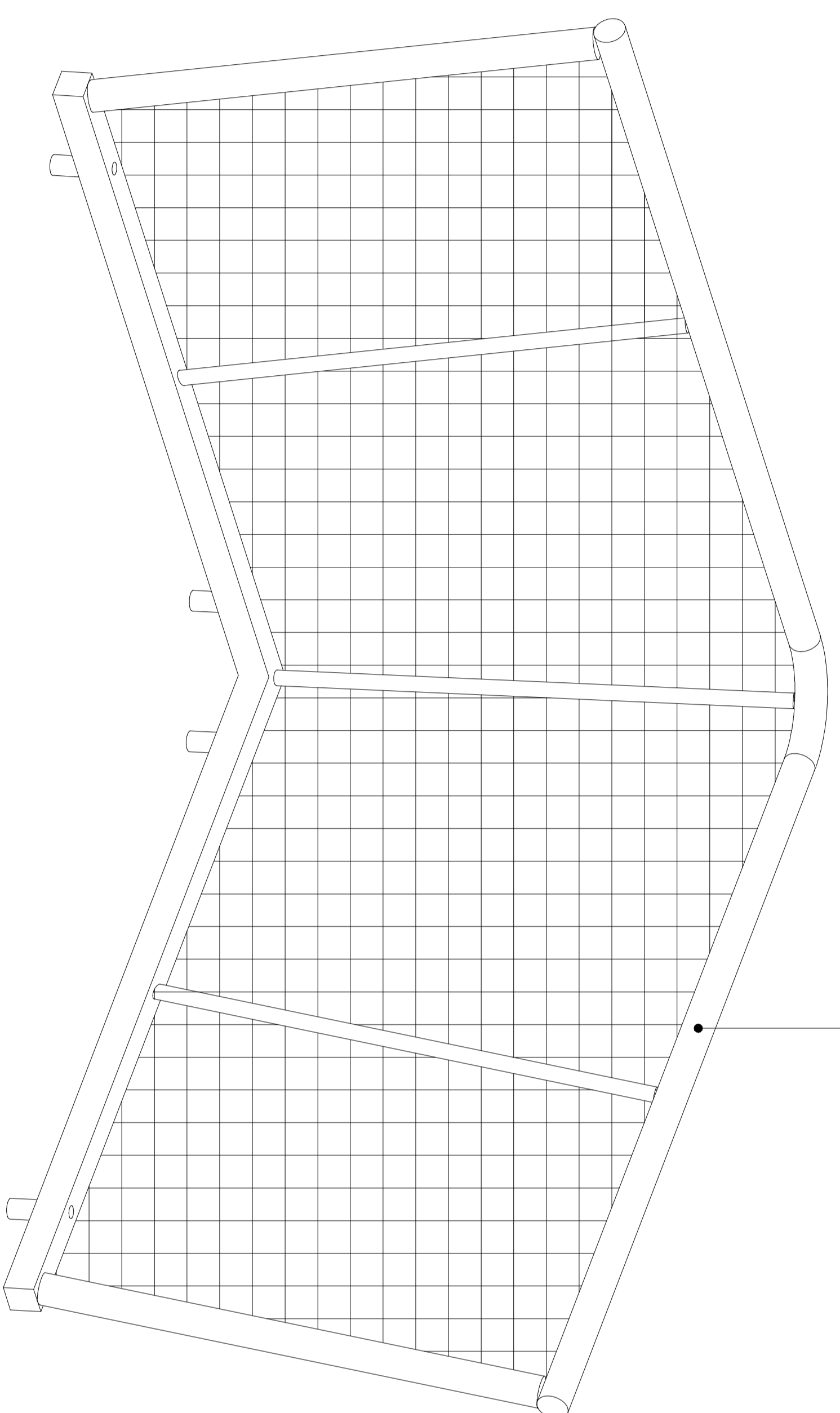
(4) = 14 Bulong (M6 * 90)



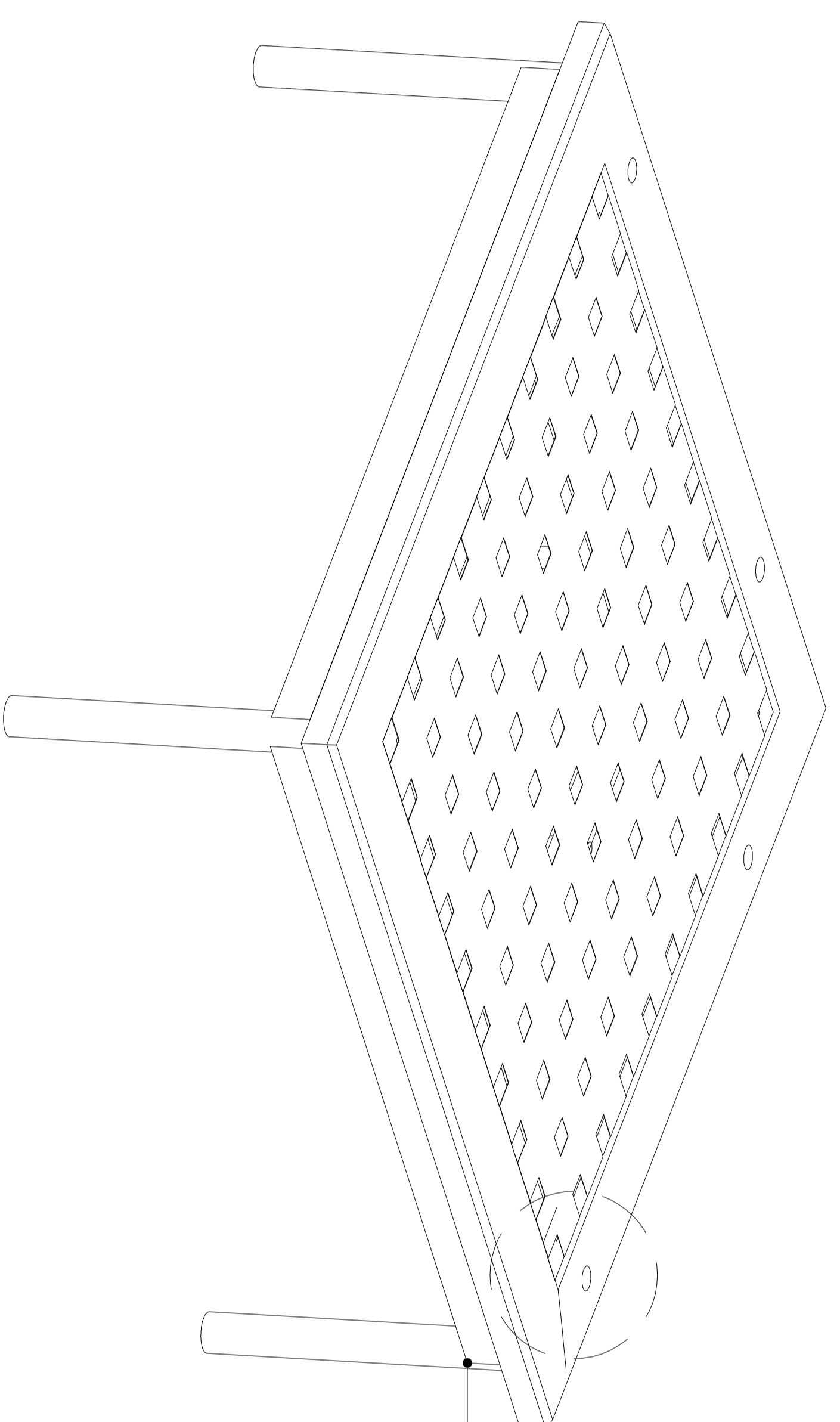
(5) = 14 Flat Washer



1



2



3

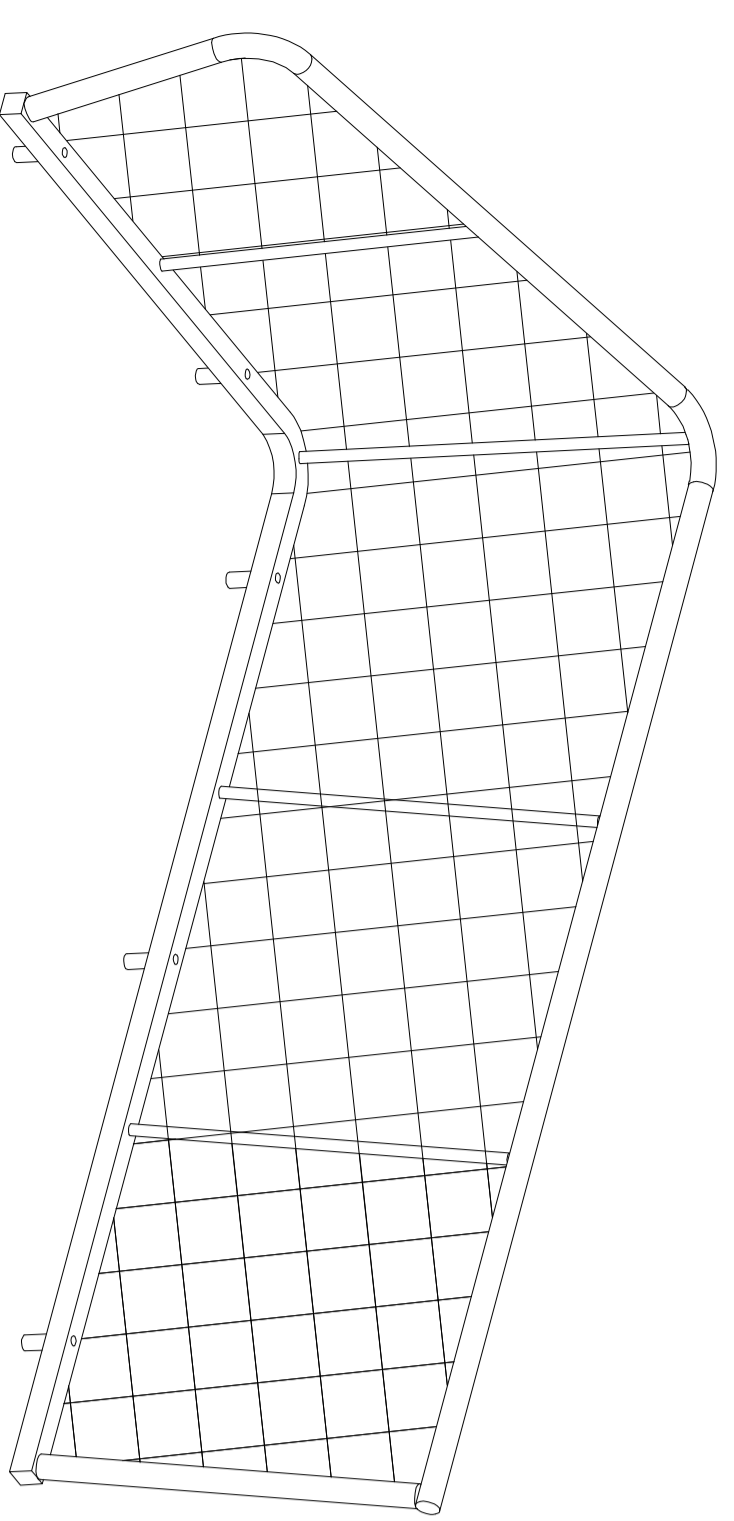
4

5

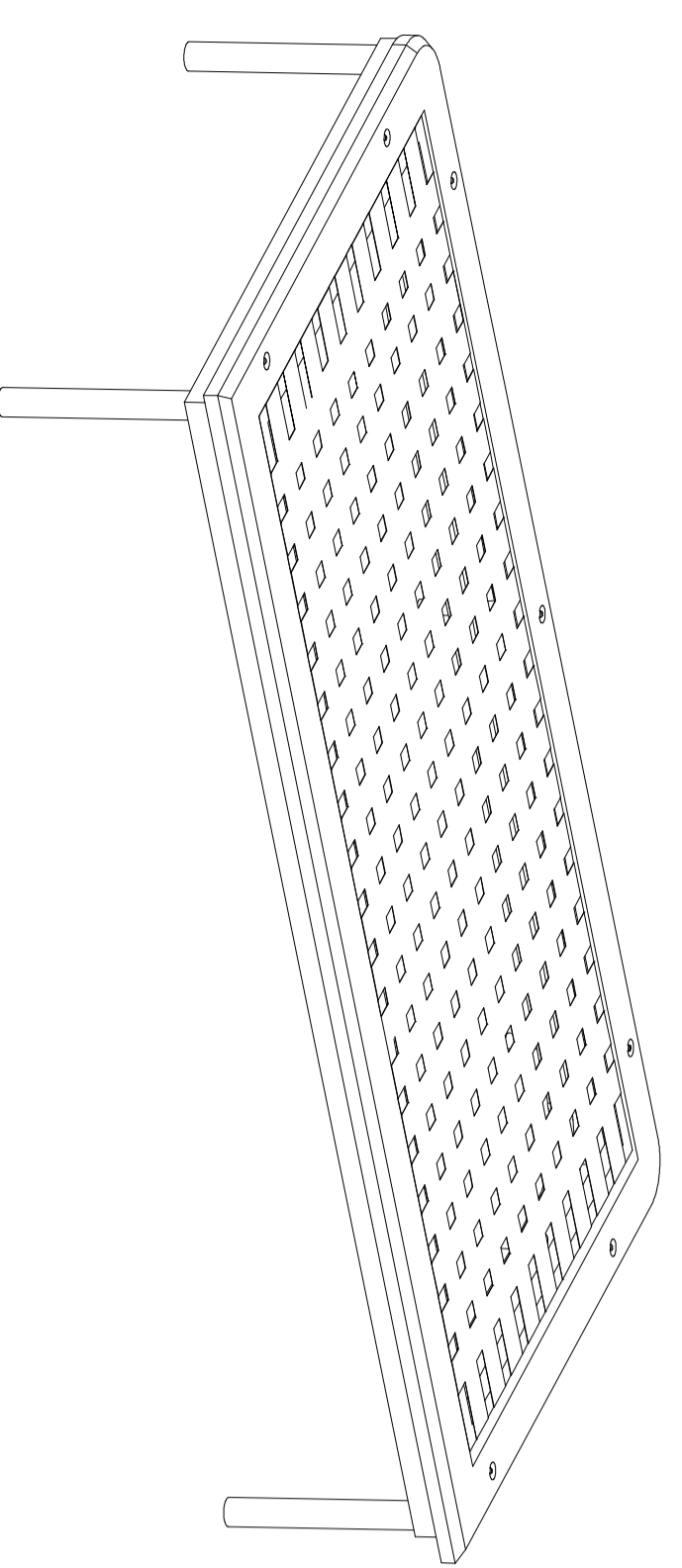
ASSEMBLY INSTRUCTION

Art No.: 9582 - 019

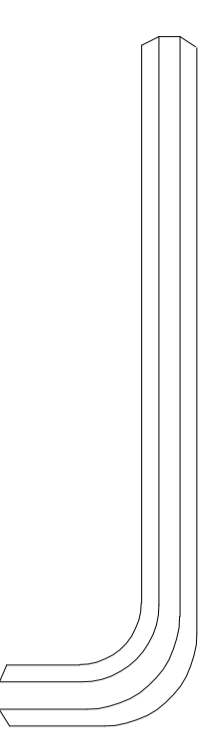
(1) = 1 Bench top



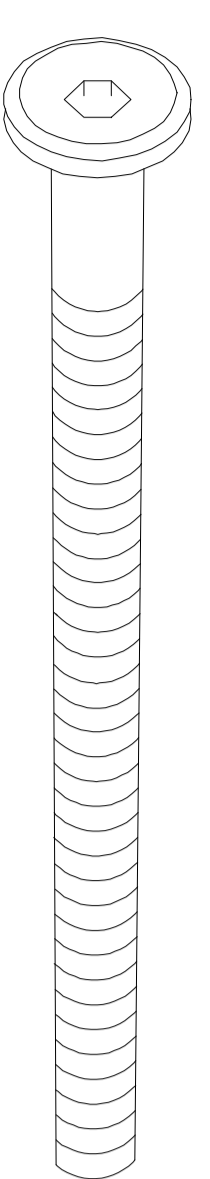
(2) = 1 Bench leg



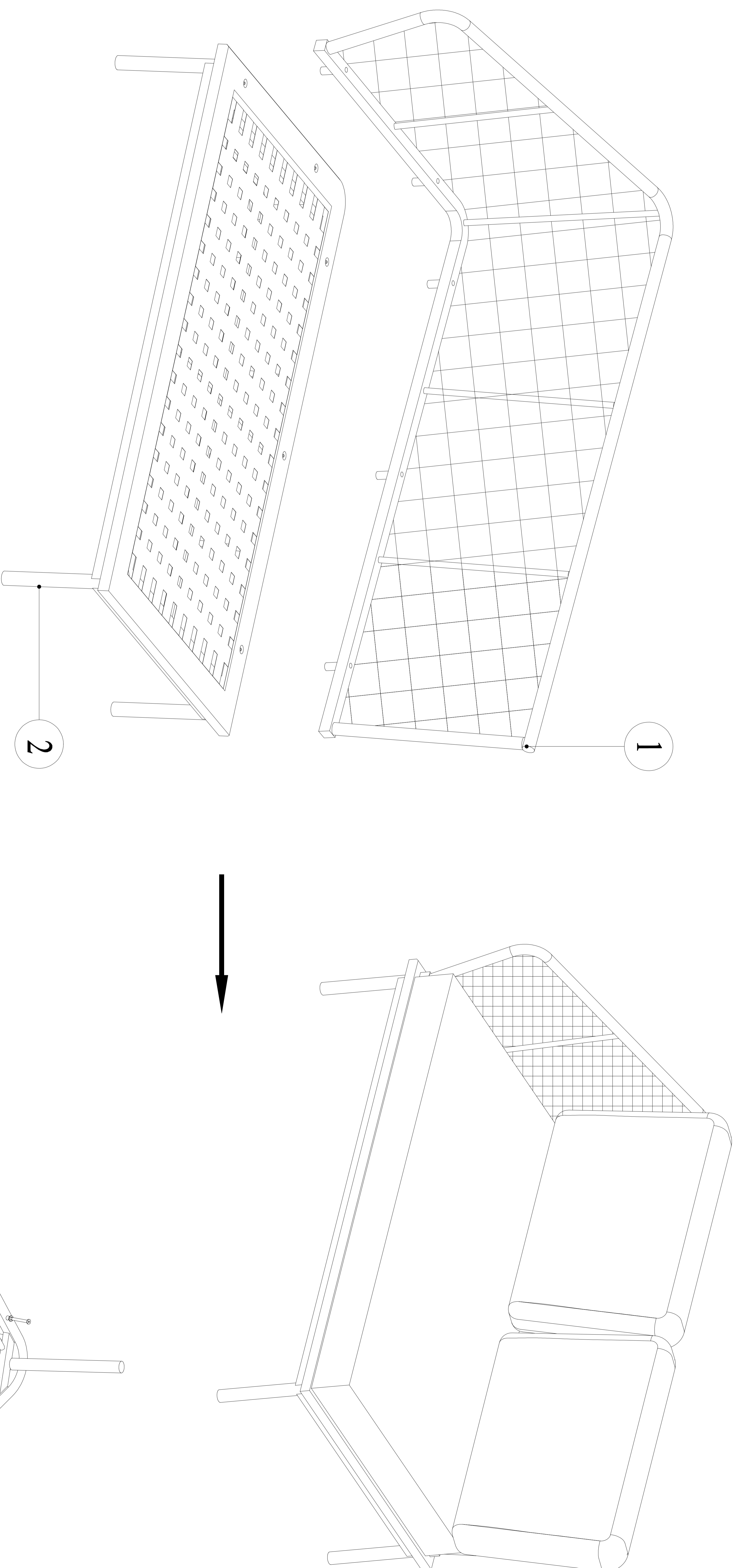
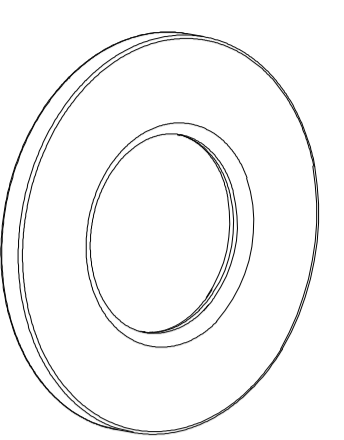
(3) Spanner



(4) Bulong
(M6 * 90)



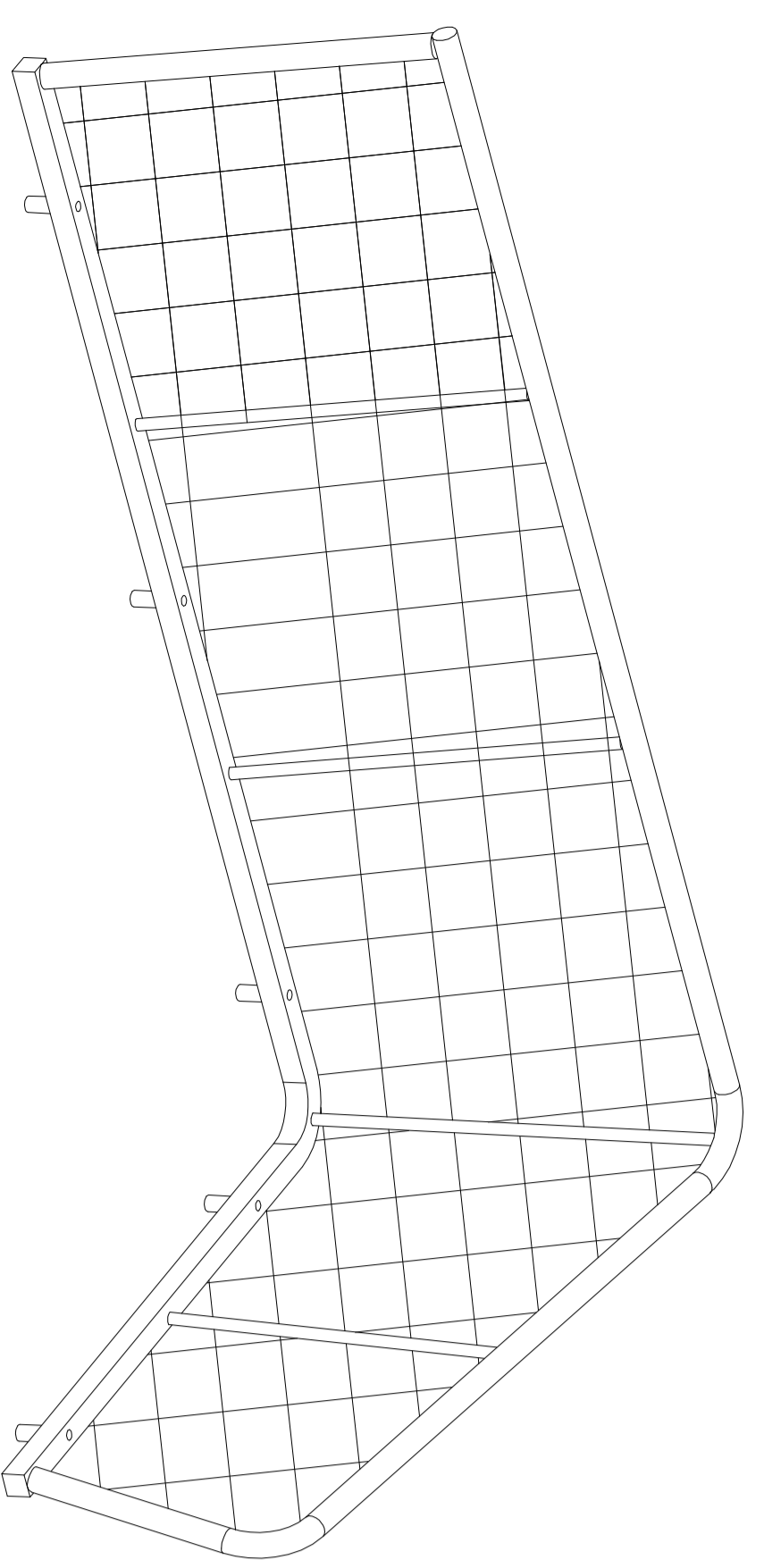
(5) Flat Washer



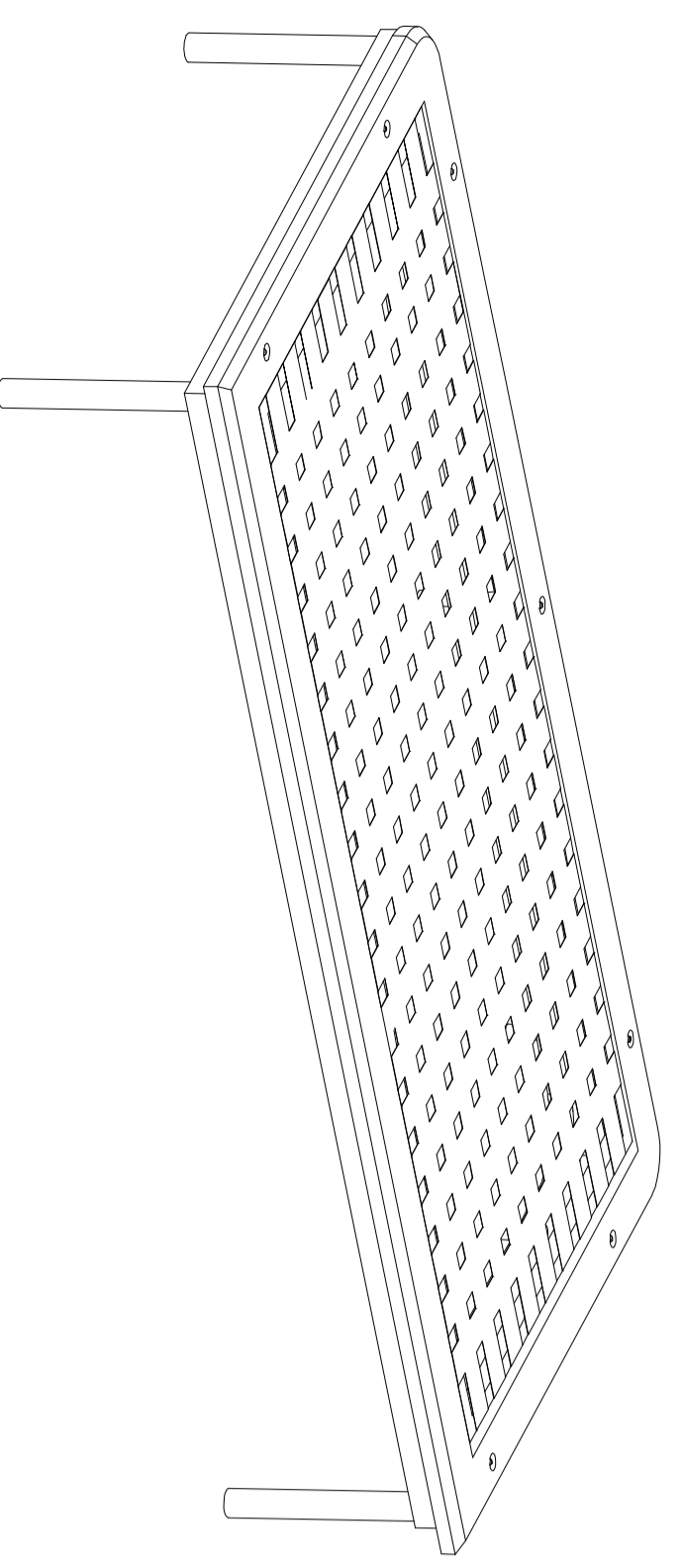
ASSEMBLY INSTRUCTION

Art No.: 9582 - 019

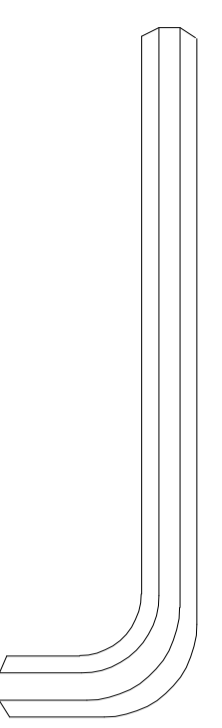
(1) = 1 Bench top



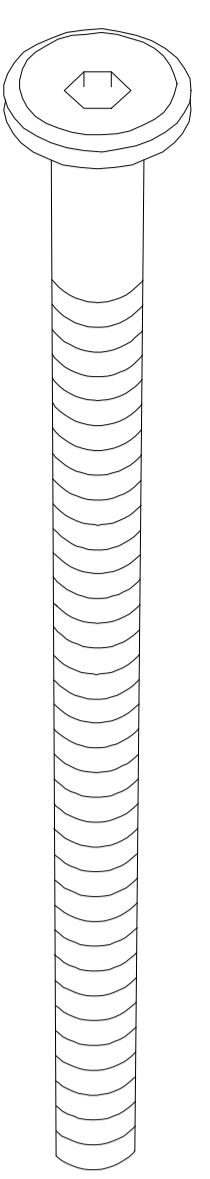
(2) = 1 Bench leg



(3) Spanner



(4) Bulong (M6 * 90)



(5) Flat Washer

