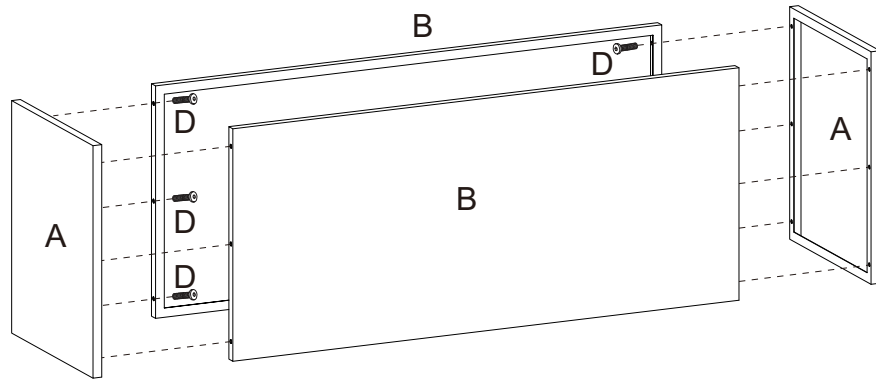


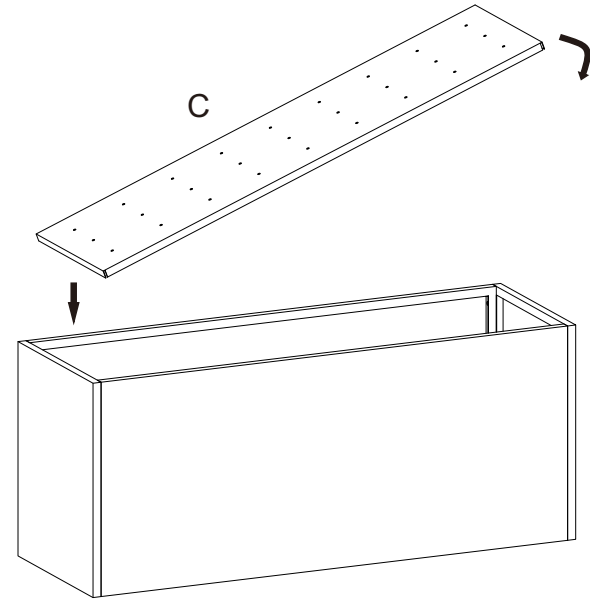
ROS Utekruka

DANGARDEN

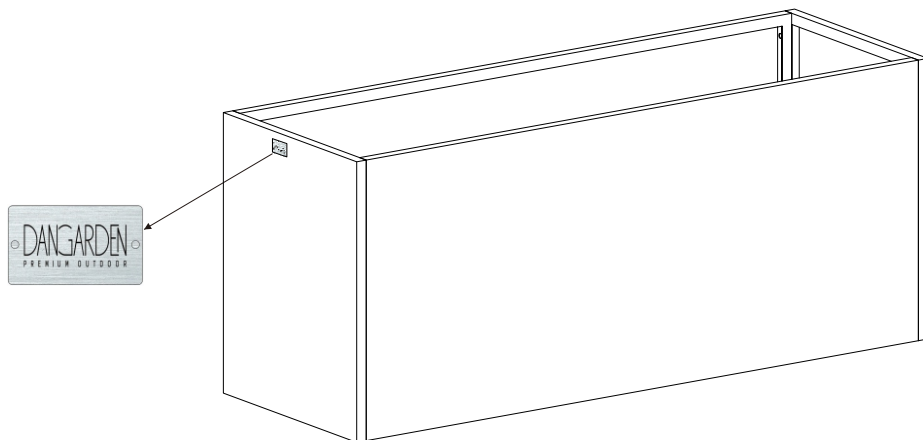
1


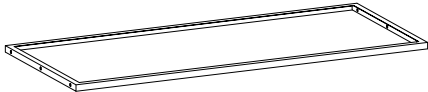
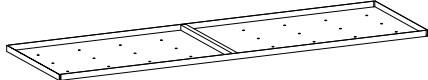
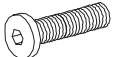



2



3



| | | |
|---|---|----|
| A |  | 2 |
| B |  | 2 |
| C |  | 1 |
| D |  | 12 |
| E |  | 1 |