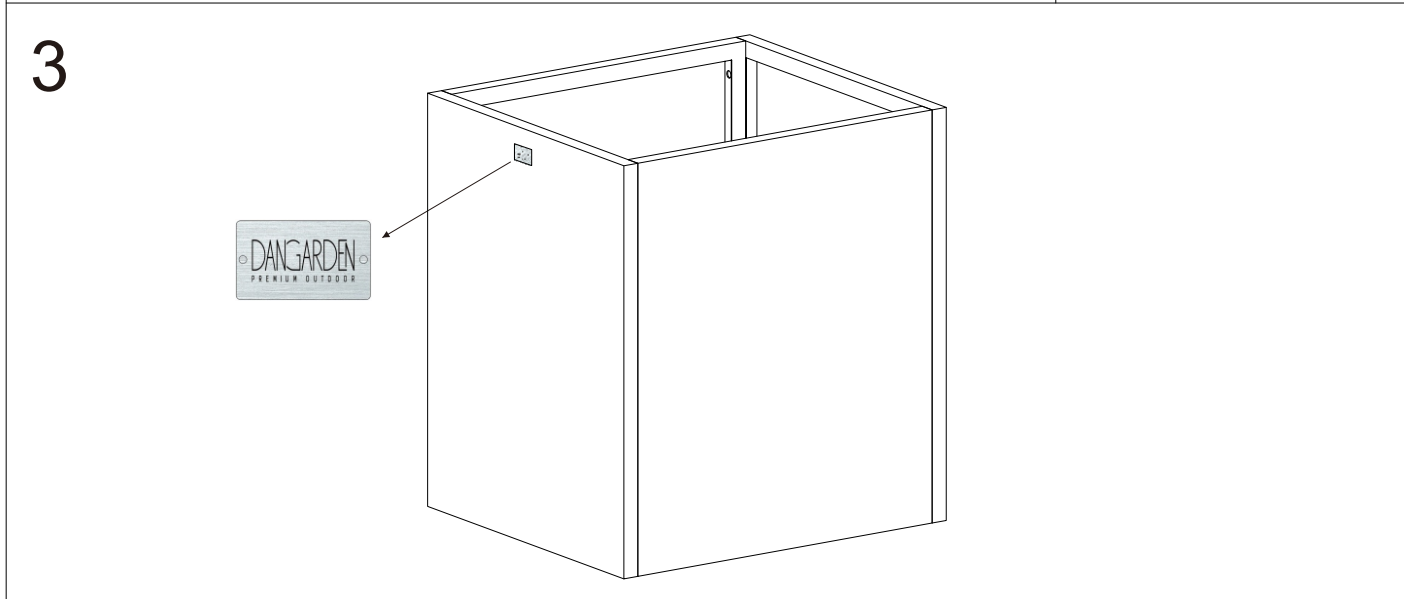
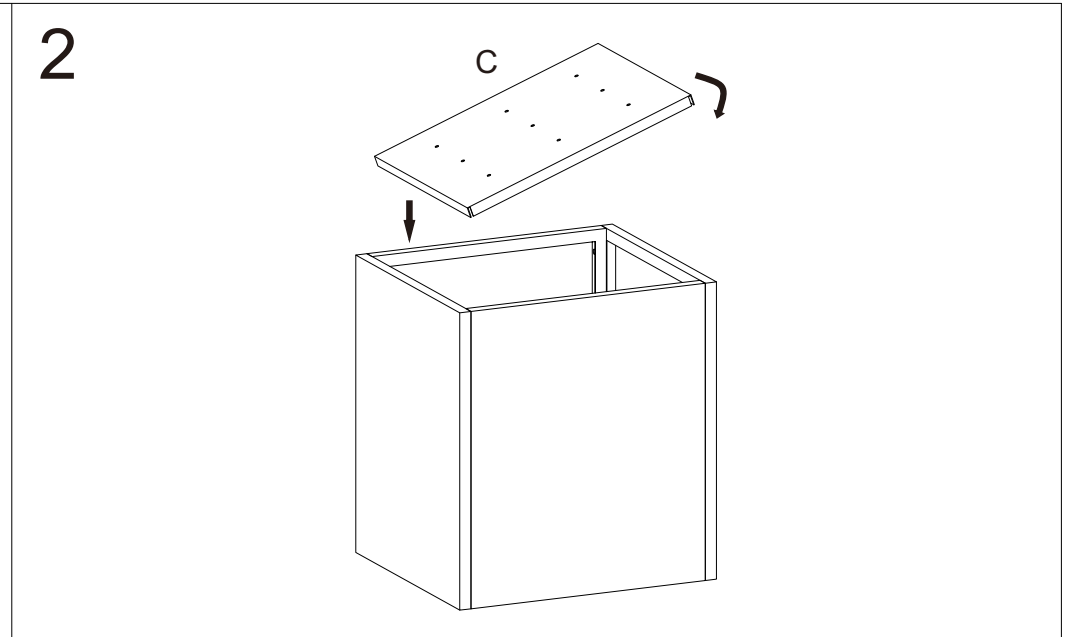
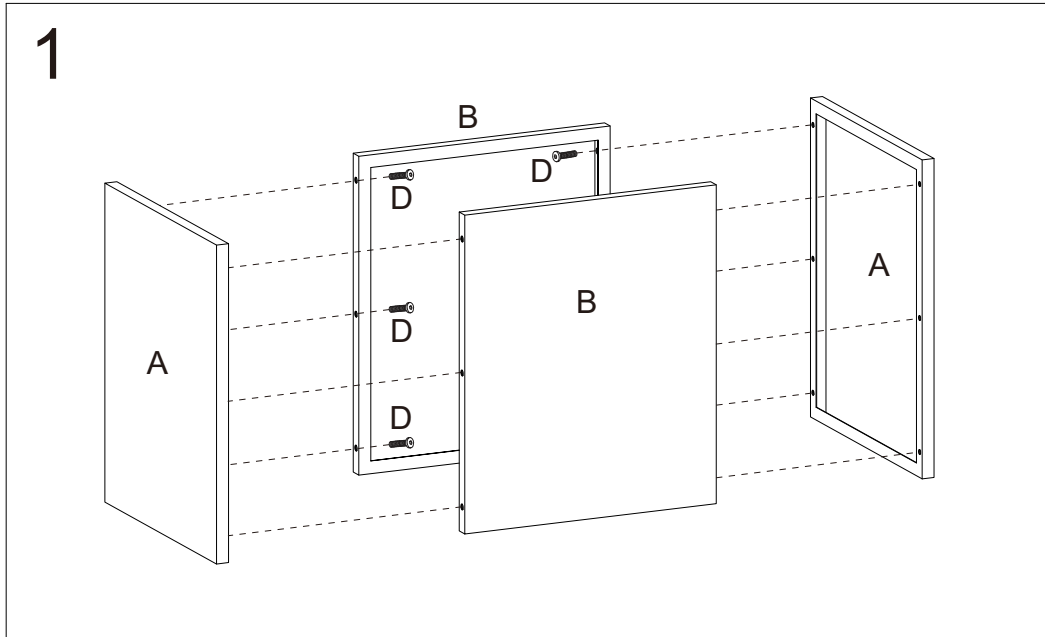


ROS Utekruka

DANGARDEN



A		2
B		2
C		1
D		12
E		1